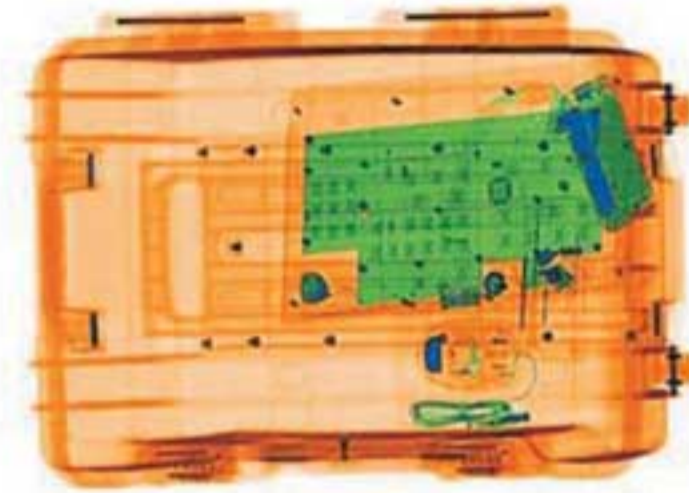




UNX6040E



**Application:**

Entertainment Venue, Metro, Government Bodies, Tourist Attractions, Shopping Mall, Exhibition Hall, Churches, Museum, Office Building, Campus, Hotels, Factories, Sports Center, etc.

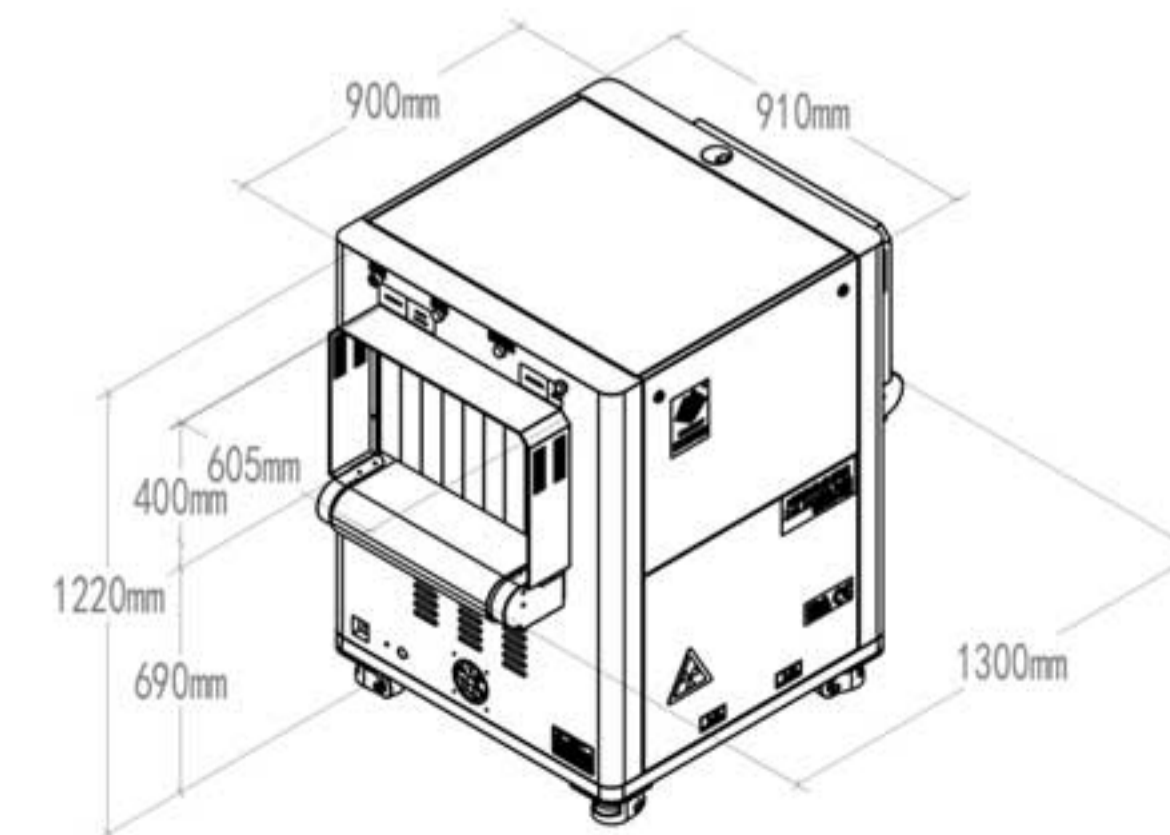
**Product Features:**

- Inspection Speed of 0.22m/s
- Steel penetration of 34mm
- Max. inspection object size of 600mm×400mm
- Remote technical support
- In compliance with international safety standards, X-ray dose rate is close to naturally occurring radiation
- Accurate material recognition: Orange for organic, blue for inorganic, green for metal and compound
- Affiliated explosives and narcotics detection enables auto-alert upon the presence of explosives and narcotics

**Technical Specifications:**

X-ray Baggage Scanner for Metro/Museum/Hotel/Airport/Event Security	
<b>System Parameters</b>	
Dimensions	1300mmx910mmx1220mm(L*W*H)
Tunnel Size	600x400mm
Weight	390kg
Conveyor Height	610±10mm
Inspection Speed	0.22m/s
Max. Load Weight	100kg
Resolution	40AWG (φ=0.0787mm metal wire)
Penetration	36mm (Typical) 34mm (Standard)
Radiation Safety	Meets film safety ISO 1600
Radiation Leakage	< 0.42μGy/h (5cm away from the housing)
<b>X-ray Generator</b>	
Anode Voltage	140kV-160kV (Adjustable)
Cooling Cycle	Sealed Oil Cooling & 100%
Single Inspection Dose	< 1.2μGy
<b>Imaging System</b>	
X-ray Detector	Photodiode
Gray Level	4096
Monitor	17"
<b>Image Processing System</b>	
Image Enhancement	*Black and white *Inverse *High-energy penetration *Low-energy penetration *Super-enhancement *Elimination of organic or inorganic substances *Variable absorption rate *Pseudo-color *Arbitrary selection (user selected ROI zoom) (64X image magnification/no loss of resolution)
Recognition	Orange for organic matter, blue for inorganic, green for metal and compound
Image Playback	50 inspected images could be replayed
Storage Capacity	No less than 100 thousand pieces of image
<b>Additional Features</b>	
*Date/time display *Baggage counter *User management *System operation clock	
<b>Standard Functions</b>	
*X-ray on clock *POST *Image storage & retrieval *Diagnosis & maintenance *Dual-scan *Image recognition training *Cloud data storage and analysis	
<b>Optional Functions</b>	
*High density area alarm *Explosives and drugs auxiliary examination *Dangerous goods image insertion	
<b>Installation Requirements</b>	
Operation/Storage Temperature	0~40°C/-5~50°C
Humidity	10%~90% (No condensation)
Power Supply	220VAC±5% 50Hz/60Hz / 1KW

**Machine Footprint:**



Note: The above pictures and parameters for reference only, the actual quotation and sales contract shall prevail